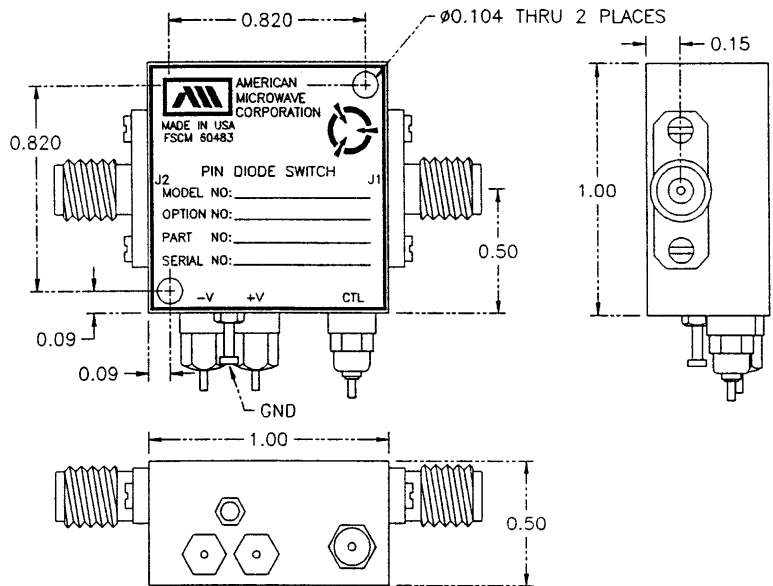


**AMERICAN MICROWAVE CORPORATION**

## SPST REFLECTIVE PIN-DIODE SWITCH/MODULATOR

### KEY FEATURES

- 0.5 GHz TO 18 GHz
- LOW LOSS
- HIGH SPEED
- HIGH ISOLATION
- MINIATURE
- TTL LOGIC COMPATIBLE



### AMC MODEL No: SWN-AKG-1DR-12X-LC

#### SPECIFICATIONS: (REFLECTIVE)

• FREQUENCY RANGE	:	0.5 GHz to 18.0 GHz
• INSERTION LOSS	:	3.0 dB MAX.
	:	1.14 dB TYP. @ 0.5 GHz
	:	0.59 dB TYP. @ 2.0 GHz
	:	1.17 dB TYP. @ 6.0 GHz
	:	1.40 dB TYP. @ 10.0 GHz
	:	2.78 dB TYP. @ 18.0 GHz
• ISOLATION	:	≥ 80 dB MIN.
	:	≥ 104 dB TYP. @ 0.5 GHz
	:	≥ 102 dB TYP. @ 2.0 GHz
	:	≥ 98 dB TYP. @ 6.0 GHz
	:	≥ 100 dB TYP. @ 10.0 GHz
	:	≥ 85 dB TYP. @ 18.0 GHz
• VSWR	:	2.0:1
• SWITCHING SPEED	:	"RISE" 7nS MAX., 5nS TYP.
	:	"FALL" 7nS MAX., 5nS TYP.
	:	"ON" 25nS MAX., 20nS TYP.
	:	"OFF" 25nS MAX., 20nS TYP.
• CONTROL	:	TTL Compatible
• VIDEO TRANSIENTS	:	≤ 600mV Peak to Peak, 300 MHz Bandwidth
	:	≤ 20mV Peak to Peak, 20 MHz Bandwidth
• RF INPUT POWER	:	+20dBm Operating, 1 Watt Survival
• DC POWER SUPPLY	:	+5vdc @ +50mA MAX.
(Other supply voltages available)	:	- 15vdc @ -50mA MAX.
• SIZE	:	1.0" X 1.0" X 0.5"
• WEIGHT	:	≤ 1.0 oz.

March 5, 1998

7311 G GROVE ROAD, FREDERICK, MARYLAND 21704 • Tel. (301) 662-4700 • Fax (301) 662-4938